

AUTO-*BLiP*

INTELLIGENT DOWNSHIFTS

www.AUTO-BLiP.com

User Manual

2008-2010 DodgeViper

Version 1.0

WARNING

Use of the AUTO-BLiP while driving could lead to an accident and serious injuries. The primary attention of the driver should always be on safe driving. As with any gauge or other instrumentation system in a motor vehicle, the information should be observed as part of a normal sequence of observations performed in the operation of the vehicle. Changes to the settings in the AUTO-BLiP should only be made when it is safe to do so. The driver must remain attentive to driving the vehicle.

The mounting of the AUTO-BLiP and the routing of the cable harness connecting it to the vehicle should be done with suitable caution so it does not create an unsafe condition. This includes but is not limited to the following restrictions:

- **Do Not mount the AUTO-BLiP where it can obstruct the view of the driver.**
- **Do Not mount the AUTO-BLiP in a manner that could cause it to be propelled through the vehicle during an accident causing injury, such as over or near an air bag.**
- **Do Not route the cable in a manner that would interfere with the operation of the vehicle controls.**

INTRODUCTION

Congratulations on your purchase of the *AUTO-BLiP* for use on the Dodge Viper. Please take the time to read the entire instruction manual before attempting to install. DO NOT adjust the *AUTO-BLiP* until you have thoroughly read the instruction manual and the unit is fully installed and calibrated.

NOTICE: The *AUTO-BLiP* is intended for racing or off-road use only.

PLEASE READ ALL INSTRUCTIONS BEFORE BEGINNING INSTALLATION!

WE STRONGLY SUGGEST THAT AN EXPERIENCED TECHNICIAN INSTALL THE AUTO-BLiP PRODUCT!

INSTALLATION INSTRUCTIONS

THE IGNITION MUST BE TURNED OFF BEFORE INSTALLATION!

Signal Description	AUTO-BLiP Harness color code	Viper wiring color code
Ground	Black	Black/light green (brake sensor, 3 rd wire from plunger side)
12v	White	Grey/Red (brake sensor, 1 st wire from plunger side)
Brake sensor	Blue	White/tan (brake sensor, 2 nd wire from plunger side)
Clutch sensor	Yellow	Yellow/Orange (clutch sensor)
Accelerator Pedal Position Sensor 1 (APPS)	Red (or Green)	White/brown (2 nd wire counting from either side of the connector)
Accelerator Pedal Position Sensor 2 (APPS)	Green (or Red)	White/brown (5 th wire counting from either side of the connector)

Tools needed:

- Needle nose pliers
- Digital Multimeter (DMM) - optional

Signal connections:

Note: Before connecting the AUTO-BLiP to your vehicle, make sure the wire harness is routed away from any moving parts!

1. Attach supplied wiretap to the **BLACK/LIGHT GREEN** wire on the brake sensor (**Figure 2**).
2. Connect *AUTO-BLiP* **BLACK** wire to the wiretap in **Step 1**.
3. Attach supplied wiretap to the **GREY/RED** wire on the brake sensor (**Figure 2**).
4. Connect *AUTO-BLiP* **WHITE** wire to the wiretap in **Step 3**.
5. Attach supplied wiretap to the **WHITE/TAN** wire on the brake pedal sensor (**Figure 2**).
6. Connect *AUTO-BLiP* **BLUE** wire to the wiretap in **Step 5**.

7. Attach supplied wiretap to the **YELLOW/ORANGE** wire on the clutch sensor (**Figure 3**).
8. Connect **AUTO-BLiP YELLOW** wire to the wiretap in **Step 7**.
9. Locate Accelerator Pedal Position Sensor (APPS) (**Figure 1**).
10. Attach supplied wiretaps, one each, to the two **WHITE/BROWN** wires on the APPS sensor (**Figure 1**).
11. Connect **AUTO-BLiP RED** wire to one of the wiretaps on the APPS output in Step 10.
12. Connect **AUTO-BLiP GREEN** wire to the other wiretap on the APPS output in Step 10.

In order for your *AUTO-BLiP* unit to function properly, you must perform the calibration sequence outlined in the CALIBRATING UNIT section after installation is complete!!!

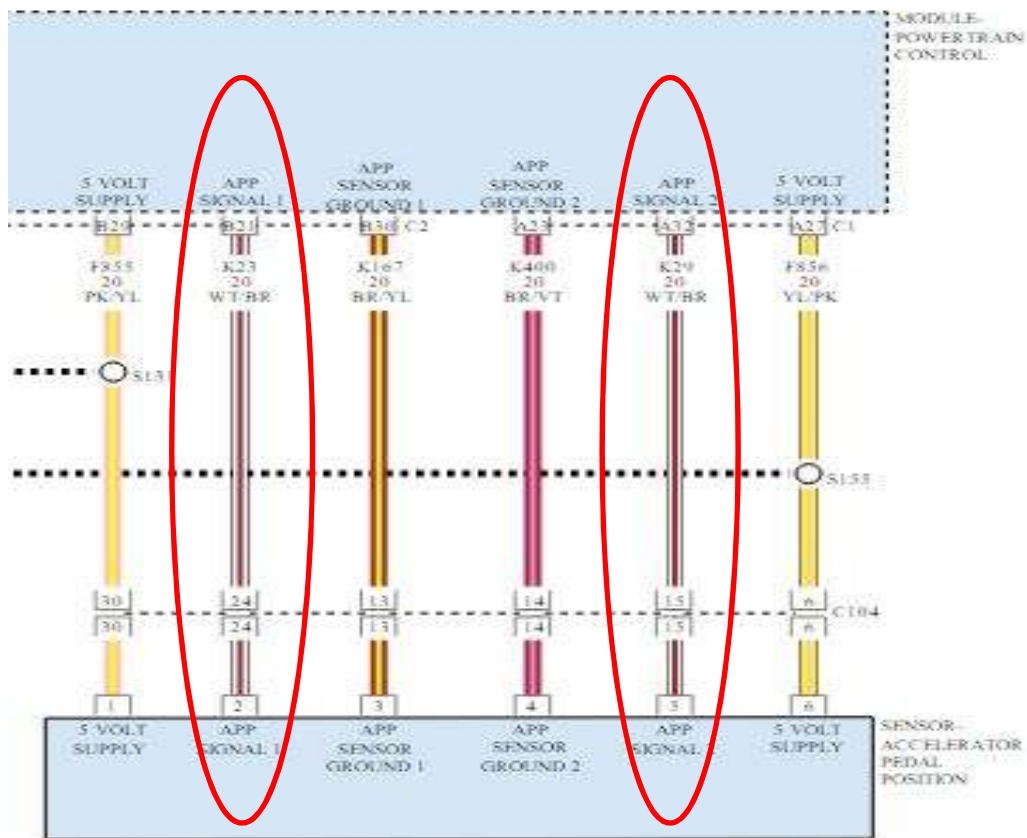


Figure 1 (Accelerator pedal position sensor - APPS)

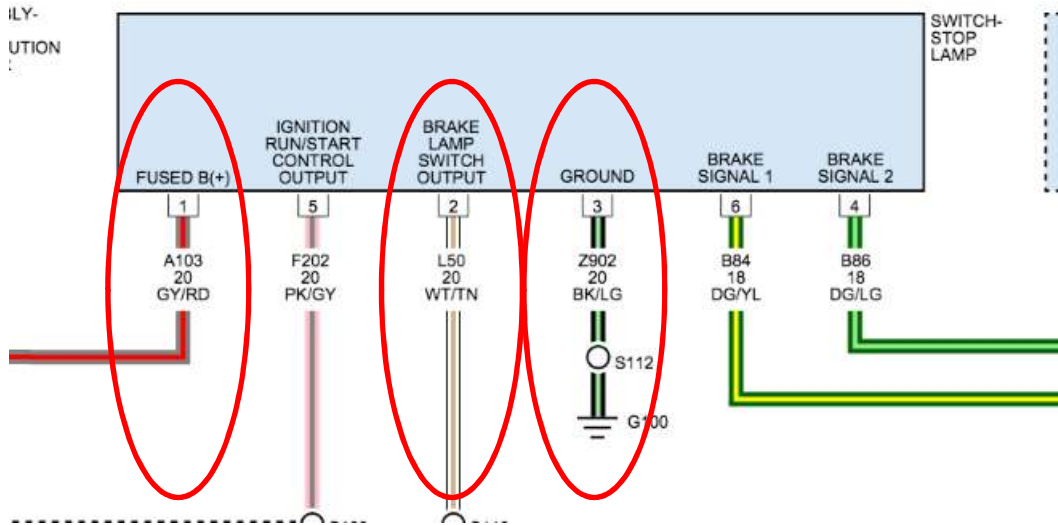


Figure 2 (Brake pedal position sensor)

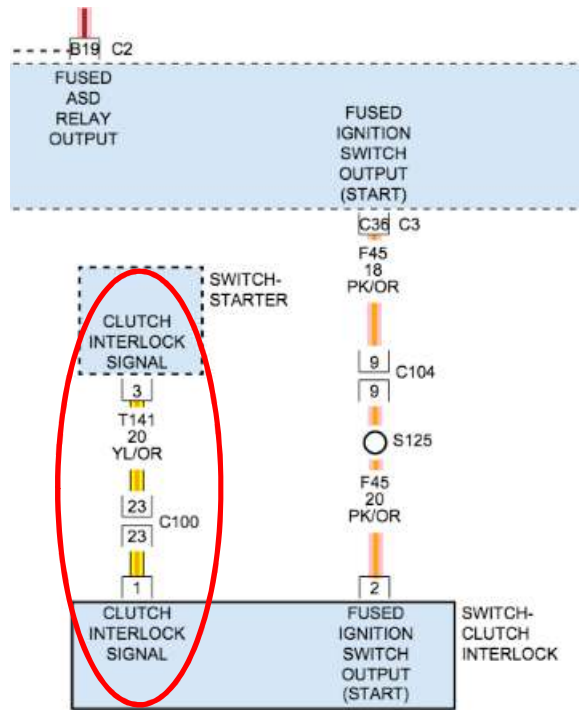


Figure 3 (Clutch pedal position sensor)

HOW IT WORKS



1. The “DURATION” dial sets the desirable RPM blip level by opening the throttle. Turn dial clockwise to increase RPM blip level.
2. The “DELAY” dial allows for the insertion of a constant time delay from the time a downshift event is sensed to when the unit blips the throttle. Turn dial clockwise to increase delay. Range from 0 to 0.5 seconds.
3. The ON/OFF button will toggle between the ON and OFF mode. The unit will default to the ON state upon power up.
Note: This button is also use to enable the calibration mode. Refer to the Calibrating Unit section below for more details.
4. The “STATUS” LED turns on when the unit is ON.
5. The “BRAKE” LED turns on when the brake pedal is pressed.
6. The “CLUTCH” LED turns on when the clutch pedal is pressed.
7. The “BLIP” LED turns on when a throttle blip event occurs.

Note: The *AUTO-BLIP* will automatically turn OFF after 6 hours of inactivity. It will remain OFF until the ON/OFF button is pressed or power to the unit is removed and re-applied.

The *AUTO-BLIP* monitors your automobile’s accelerator pedal, brake pedal, and clutch pedal, blipping the throttle only when the clutch pedal is being depressed while simultaneously braking.

CALIBRATING UNIT

In order for your AUTO-BLiP unit to function properly, you must first perform the calibration sequence outlined in this section!!!

1. Turn on ignition, but do not start engine. *AUTO-BLiP* "STATUS" LED light will light up. If not, turn ignition off and verify the power supply and ground connectors are fully seated.
2. Set both the "DURATION" and "DELAY" adjusting dials on the *AUTO-BLiP* unit completely counter clockwise (-).
3. To enter the calibration mode, press and hold down the ON/OFF button (about **10** seconds) until the "STATUS" LED continuously blinks **(1)** time followed by a short pause.
4. Fully press and hold down the accelerator pedal. While holding the accelerator pedal wide open, press and release the ON/OFF button once, continue to hold the accelerator pedal down. This step records your vehicle's full open throttle pedal position.
5. At this point the "STATUS" LED light will blink **(2)** times followed by a short pause. Completely release the accelerator pedal. With the accelerator pedal completely released, press and release the ON/OFF button once. This step records your vehicle's close throttle pedal position.
6. At this point the "STATUS" LED light will blink **(3)** times followed by a short pause. Completely press the brake pedal. With the brake pedal completely pressed, press and release the ON/OFF button once, continue to hold the brake pedal down. This step records your vehicle's brake pedal pressed position.
7. At this point the "STATUS" LED light will blink **(4)** times followed by a short pause. Completely release the brake pedal. With the brake pedal completely released, press and release the ON/OFF button once. This step records your vehicle's brake pedal released position.
8. At this point the "STATUS" LED light will blink **(5)** times followed by a short pause. Completely press the clutch pedal. With the clutch pedal completely pressed, press and release the ON/OFF button once, continue to hold the clutch pedal down. This step records your vehicle's clutch pedal pressed position.
9. At this point the "STATUS" LED light will blink **(6)** times followed by a short pause. Completely release the clutch pedal. With the clutch pedal completely released, press and release the ON/OFF button once. This step records your vehicle's clutch pedal released position.
10. This completes calibration of the *AUTO-BLiP* unit!

Note: When properly calibrated, the "BRAKE" and "CLUTCH" LEDs will turn on when the corresponding pedal is pressed.

The AUTO-BLiP features a diagnostic function that will warn the user when the AUTO-BLiP's calibration routine fails to properly recognize the accelerator pedal position sensor (APPS), BRAKE, and/or CLUTCH signals. Failures related to the BRAKE and/or CLUTCH will prevent the unit from exiting the calibration sequence. This is done to prevent AUTO-BLiP from blipping the throttle at the incorrect time. When a failure is detected the AUTO-BLiP will continuously blink the "BRAKE", "CLUTCH", and/or "BLIP" LEDs, signaling a failure during calibration of the respective signals. Press and release the ON/OFF button once to re-start the calibration sequence from the beginning.

TECH SUPPORT

In the event of a malfunction, please check the following:

1. Turn off ignition then verify all connectors are fully seated.
2. Make sure the unit is properly powered. When unit is properly powered the “STATUS” LED will remain continuously lit.
3. Be sure the unit has been calibrated, as outlined in the calibration section, according to your vehicle’s model and year.
4. Check harness for cuts, scrapes or abrasions.
5. Call technical support at 480-788-6748

Tractive Technology, LLC
P.O. Box 93562
Phoenix, AZ 85070-3562
info@tractivetechology.com

AUTO-BLiP LIMITED WARRANTY

Tractive Technology, LLC warrants this product against defects in material and workmanship for the period of 90 days. The warranty period begins with the date of original retail purchase.

This limited warranty is made only to the original end user purchaser ("you") of the product and does not extend to any subsequent purchasers or owners of the product. The "original end user" is the first user to put the product into service in any fashion. It is your responsibility to establish the warranty period by verifying the original purchase date.

If you discover a defect, Tractive Technology, LLC will, at its option, repair or replace this product with a new or reconditioned product at no charge to you, provided you return it during the warranty period, with transportation charges prepaid, to Tractive Technology, LLC. (You can obtain additional information by contacting Tractive Technology, LLC at the address printed on the card). Please attach your name, address, telephone number, and a copy of the bill of sale as proof of date of original retail purchase, as well as a detailed description of the problem for which service is requested. Prior to returning the product, you must obtain from Tractive Technology, LLC a Return Merchandise Authorization Number (RMA#). You are responsible for packing the product to be returned. If the repairs are covered by the Limited Warranty and if the product was properly shipped to Tractive Technology, LLC, Tractive Technology, LLC will pay the return shipping charges. This warranty applies only to AUTO-BLiP product manufactured by Tractive Technology, LLC that can be identified by the "AUTO-BLiP" trademark, trade name, or logo affixed to them. This warranty does not cover damage resulting from an accident, misuse, abuse, or neglect and/or damage during any type of transportation resulting from improper packaging; damage to any product which has been altered in any fashion, including the alteration or removal of any Tractive Technology, LLC serial number; damage resulting from causes other than product defects, including and not by way of limitation, lack of technical skill, competence, or experience of the user, and/or failure to use the product in accordance with the instructions provided in the User's Manual; and service performance by an unauthorized person or entity. Any implied warranties including fitness for use and merchantability are limited in duration to the period of the expressed warranty set forth above. The remedies provided under this warranty are exclusive and in lieu of all others. Tractive Technology, LLC hereby expressly disclaims liability and shall not be responsible for incidental, consequential and contingent damages or any kind of nature, including, without limitation: damages to persons or property, whether a claim for such damages is based upon warranty, contract, tort or otherwise; damages to persons or property, whether a claim for such damages is based upon warranty, contract, tort or otherwise; damages due to or arising out of the loss of date; or lost of profits. Tractive Technology, LLC shall not be responsible for any damages caused by the presence of error or omission in any of its manuals, instructions or related materials.

Tractive Technology, LLC
Attn: Warranty Claims
P.O. Box 93562
Phoenix, AZ 85070-3562